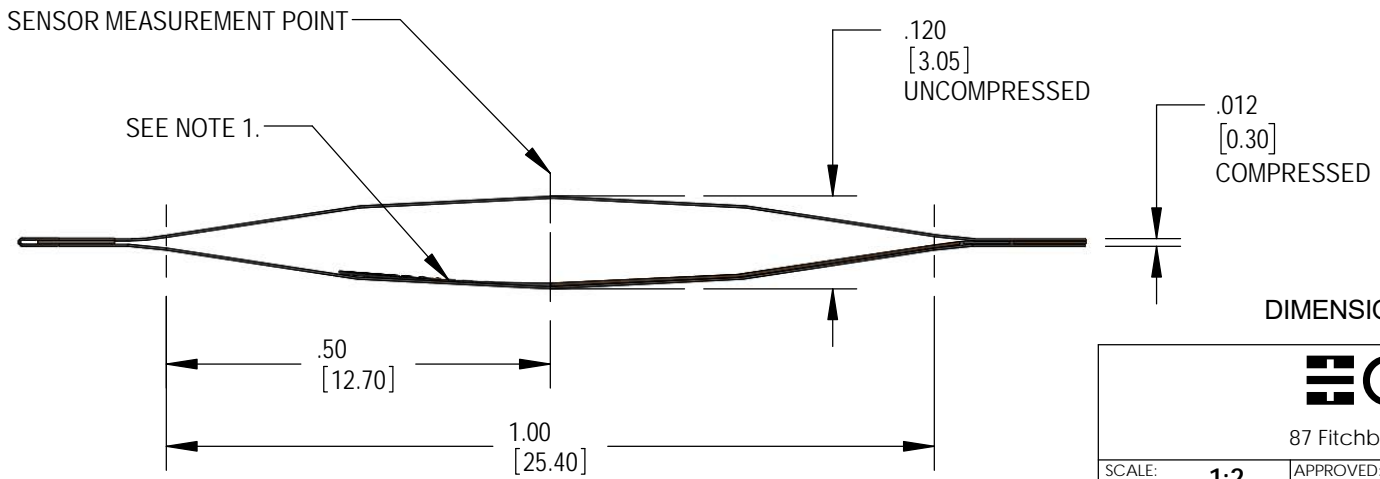



ISOMETRIC VIEW
SCALE 1:4



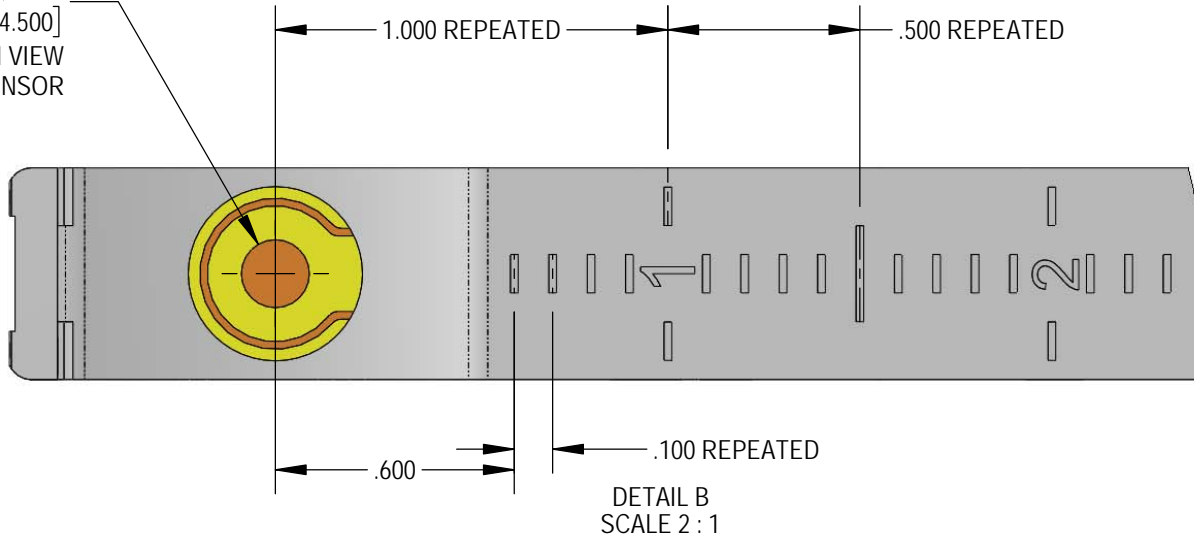
DETAIL A
SCALE 4 : 1

DIMENSIONS ARE NOMINAL VALUES

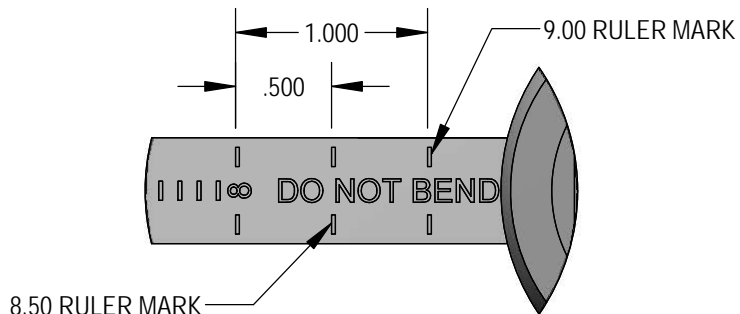
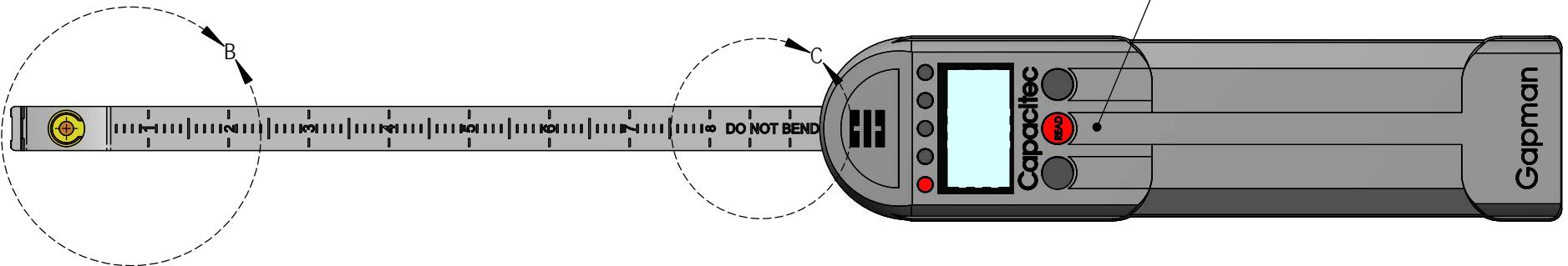
- NOTES:
1. WAND INCLUDING SENSOR BONDED TO THE BOTTOM SHIM.
 2. WELDED REINFORCEMENT SHIMS LOCATIONS (BOTH SIDES).

 87 Fitchburg Road, Ayer, MA 01432, USA		
SCALE: 1:2	APPROVED:	DATE: 08-16-13
DRAWN: JMV	PROJECT NAME:	REV: B
DWG SIZE: A	DRAWING TITLE: GPS-4.5(.012)-A-250-5509-7771	
SERIES NO:	DRAWING NO: 5509-7771-SD	
		SHEET 1 OF 2

$\phi .177$
 [4.500]
 BROKEN VIEW
 SHOWING SENSOR



GAPMAN 4200-GM-GEN 3
 ORDER SEPARATELY
 SEE DRAWING 5534-7819-SD



DETAIL C
 SCALE 1 : 1

DIMENSIONS ARE NOMINAL VALUES


Capacitec

87 Fitchburg Road, Ayer, MA 01432, USA

SCALE: 1:2	APPROVED:	DATE: 08-16-13
DRAWN: JMV	PROJECT NAME:	REV: B
DWG SIZE: A	DRAWING TITLE: GPS-4.5(.012)-A-250-5509-7771	
SERIES NO:	DRAWING NO: 5509-7771-SD	

SHEET 2 OF 2